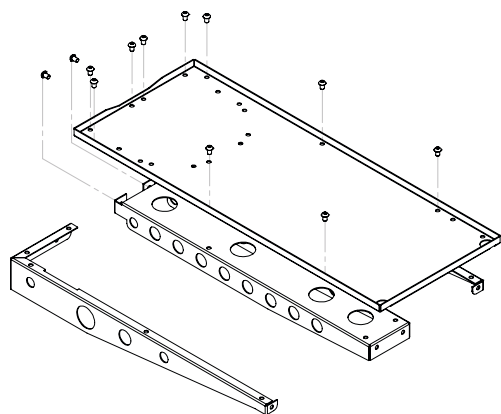


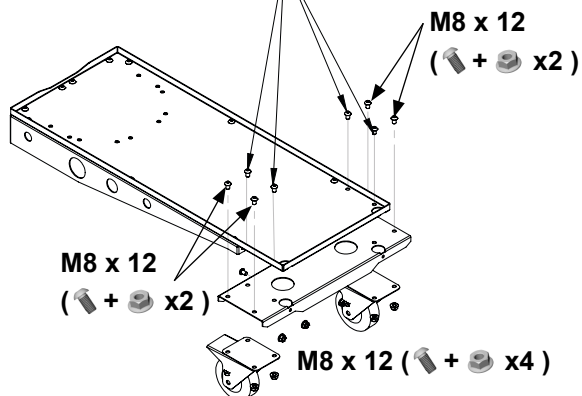
Chariot 10 m3 XL-TM1 / 10 m Trolley / 10 m Fahrwagen

ref. 041257

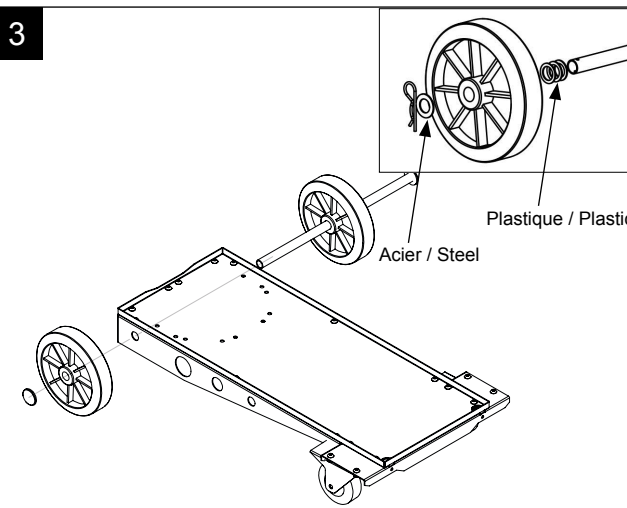
1 12 x M8 (🔩 + 🍆 x12)



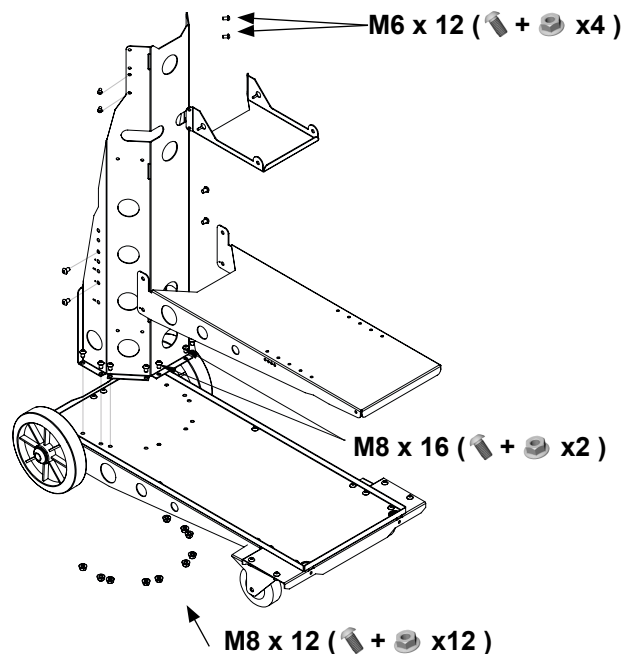
2 M8 x 16 (🔩 + 🍆 x4)



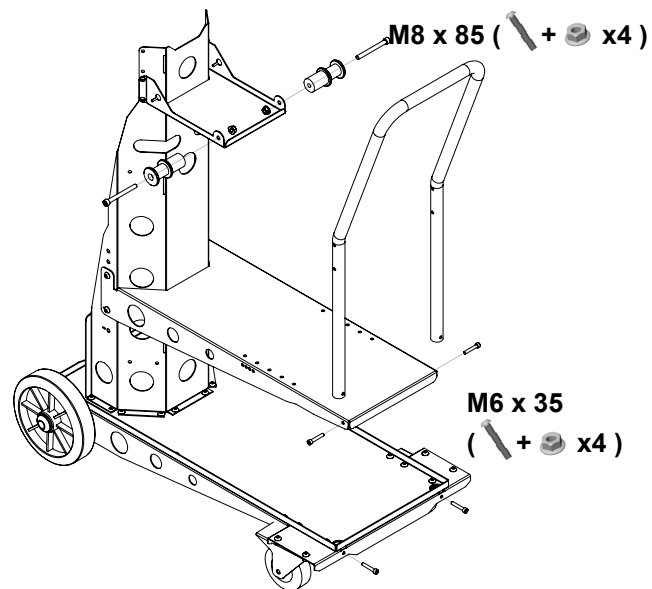
3



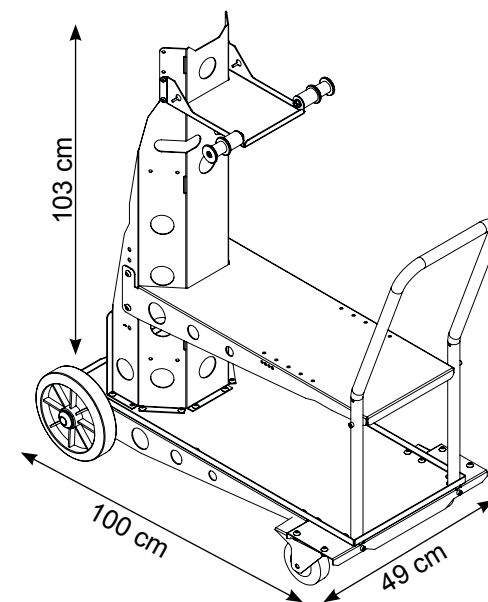
4



5

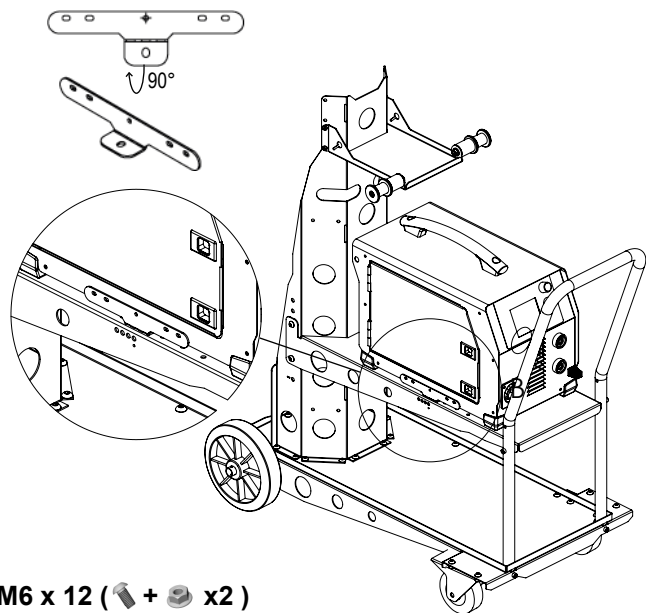


6

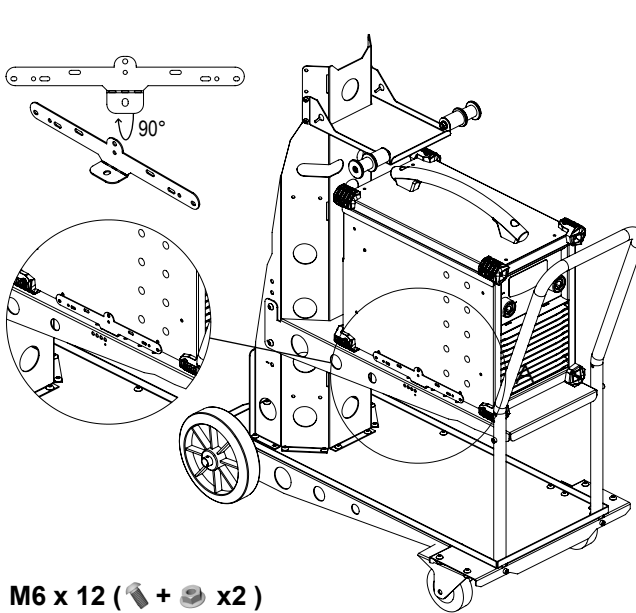


Chariot 10 m3 XI-TM1 / 10 m Trolley / 10 m Fahrwagen

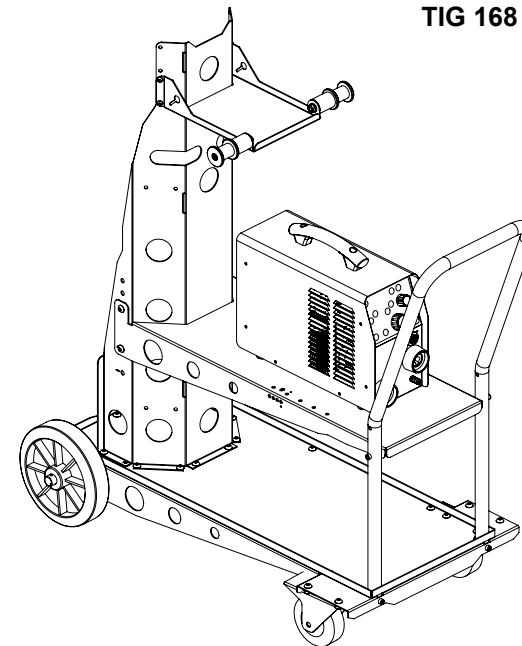
MULTIPEARL 200-2



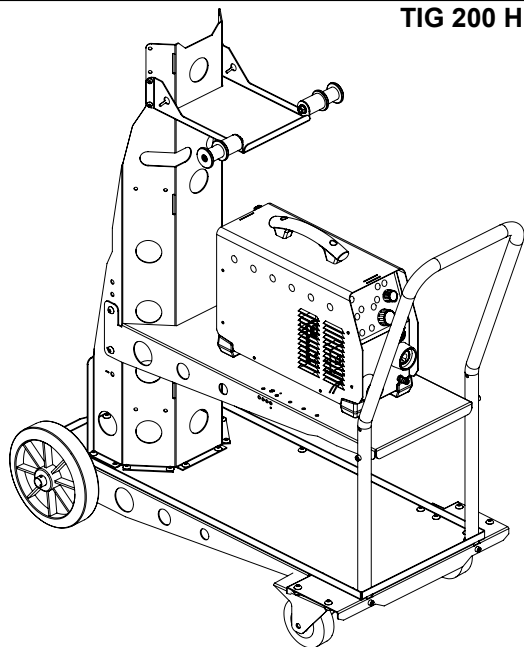
PROGYS FLEX / CEL



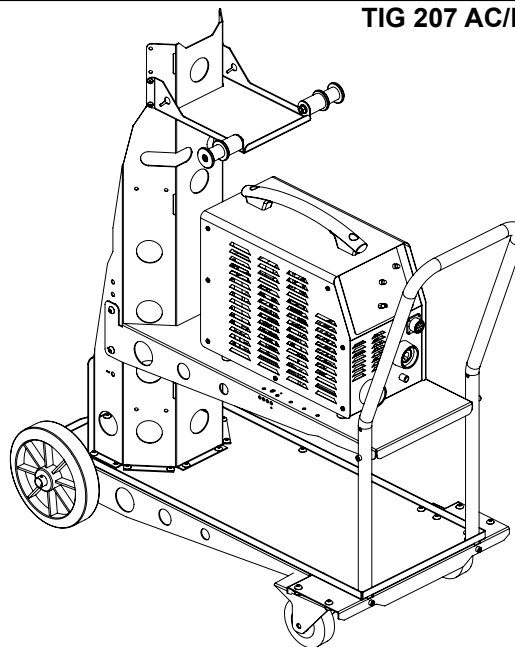
TIG 168 DC HF



TIG 200 HF VF



TIG 207 AC/DC HF



TIG 208 AC/DC HF

